



# modern edition

**SPECIFICATIONS**

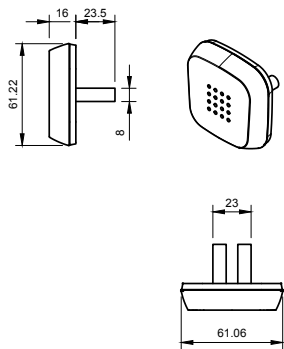


# 4SUITES modern edition specifications

---

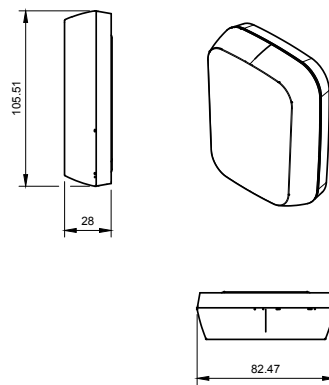
## Dimensions Reader (mm)

---



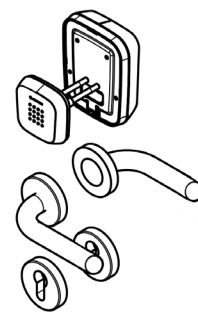
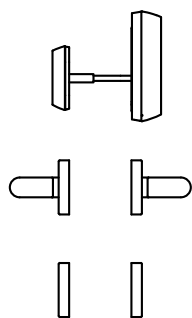
## Dimensions Battery Case (mm)

---



## Configuration

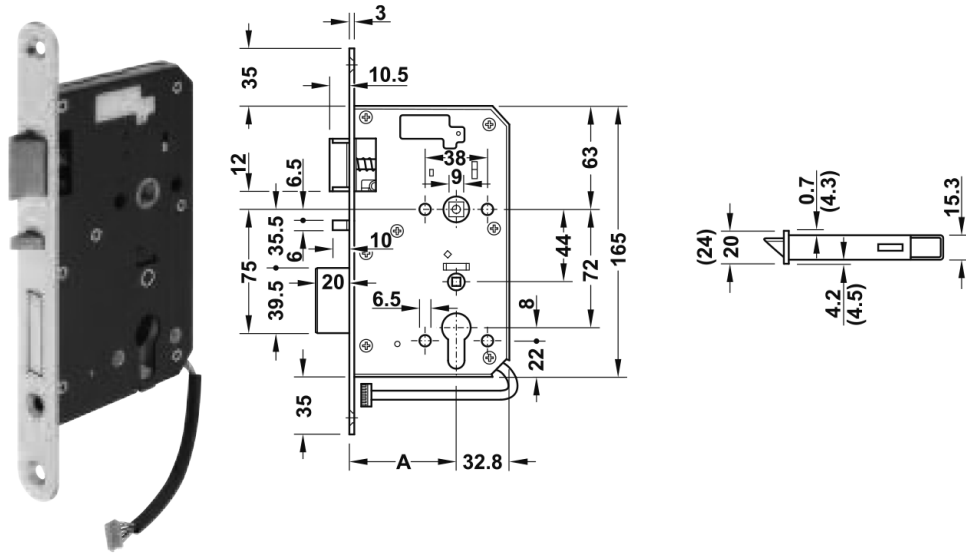
---



---

The length of the mounting screws can vary depending on the door thickness  
The handle style may vary depending on the chosen design

## Lock Case



### A (Lock Case drawing)

Backset A 55 mm, forend round, Backset A 65 mm, forend round, Backset A 65 mm, forend square or Backset A 80 mm, forend round

### Area of application

For rebated doors (forend 20 mm) or flush doors (forend 24 mm), suitable for fire resistant and smoke control doors

### Version

Electrically connectable mortice lock with feedback, comfort function and emergency opening function, with deadlocking latchbolt and deadbolt.

### Type of locking

Prepared for profile cylinder

### Deadbolt

1-turn

### Forend

Round

### Lever follower

9 mm

### Distance

72 mm

### Mounting

DIN L and DIN R

### Material

Forend: Stainless steel,  
latchbolt and lock case: Steel,  
lever follower: Malleable cast

### Finish

Satin, lock case: Black

## Features

---

<b>Credential Types</b>	NFC, Cloud, *Wallet
<b>Offline Backup</b>	Can store up to 1200 Keys
<b>Integration</b>	Various third parties
<b>Management</b>	App for configuration, cloud for general management

## Communication

---

<b>Wireless Standards</b>	SubGHz, NFC, BLE
<b>SubGHz Frequency</b>	EU version 868 MHz, US version 915 MHz
<b>NFC Frequency</b>	13.56 MHz
<b>NFC Read Range</b>	Up to 1.5 cm
<b>NFC Type</b>	Mifare DESFire EV2, SmartTap
<b>Supported Smartphones</b>	All smartphones
<b>Interface</b>	APP, Webapp, NFC

## Inputs, Outputs, and Power

---

<b>Power Type</b>	Battery powered, 4x AA Battery
<b>Operating Voltage</b>	3.2V DC to 9V DC
<b>Battery Life</b>	2 Years (8 openings/day) Measured at room temperature with OEM batteries.
<b>Inputs</b>	3 sensor inputs
<b>Outputs</b>	1 motor driver output
<b>Termination</b>	Lock specific connection

## Environmental

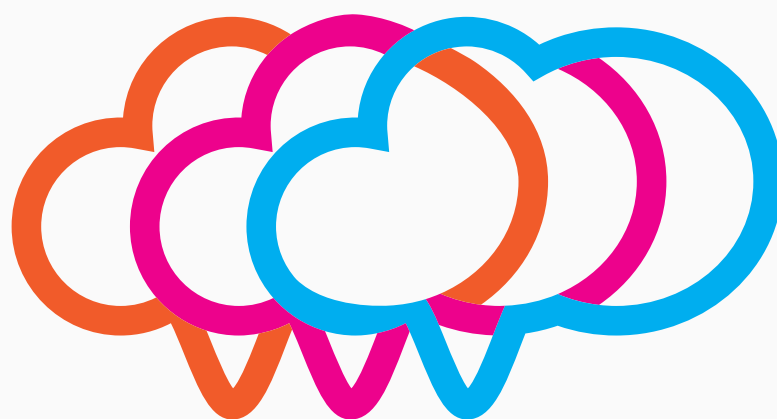
---

<b>Operating Temperature</b>	Operating: -30C to 70C
<b>Operating Humidity</b>	0-95% relative humidity, non-condensing

## Warranty

---

<b>Warranty</b>	2-Year limited warranty on mechanical components, 1-year on electronic components
-----------------	---



[4SUITESHQ.COM](http://4SUITESHQ.COM)