

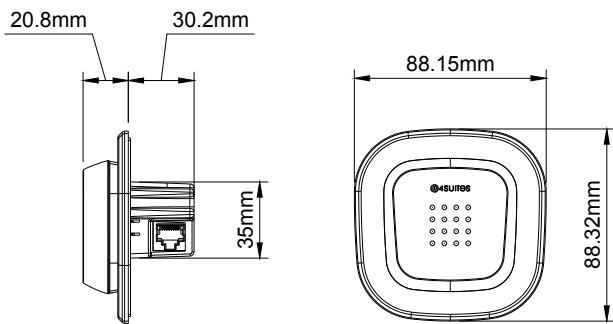


model wallreader

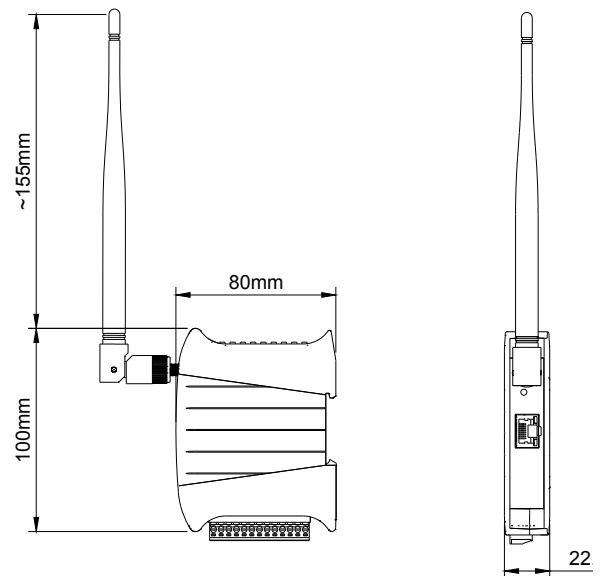
4SUITES series
specifications

4SUITES wallreader specifications

Dimensions Reader (mm)

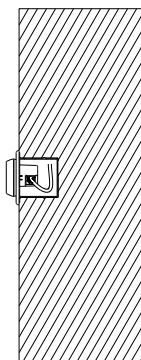


Dimensions relay module (mm)

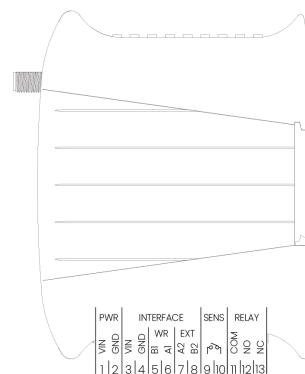


Installation

A-A (1:4)



Pinout



The reader must be mounted in a device box according to DIN 49073. The reader and relay module are connected by a CAT (5e, 6) cable and cannot exceed a length of 100m

Features

Credential Types	NFC, Cloud, *Wallet
Offline Backup	Can store up to 1200 Keys
Integration	Various third parties
Management	App for configuration, cloud for general management

Communication

Wireless Standards	SubGHz, NFC, BLE
SubGHz Frequency	EU version 868 MHz, US version 915 MHz
NFC Frequency	13.56 MHz
NFC Read Range	Up to 1.5 cm
NFC Type	Mifare DESFire EV2, SmartTap
Supported Smartphones	All smartphones
Interface	APP, Webapp, NFC

Inputs, Outputs, and Power

Power Type	Wired
Operating Voltage	9V DC to 48V DC
Power Supply	12V DC or 24V DC included <small>*Other power supplies may be used at own risk</small>
Inputs	1 input for exit button
Outputs	Relay (NO, NC, COM)
Termination	Screw Terminals, RJ-45

Environmental

Operating Temperature	Operating: -30C to 70C
Operating Humidity	0-95% relative humidity, non-condensing

Warranty

Warranty	3-Year limited warranty on mechanical components, 1-year on electronic components
-----------------	---



80mm

100mm