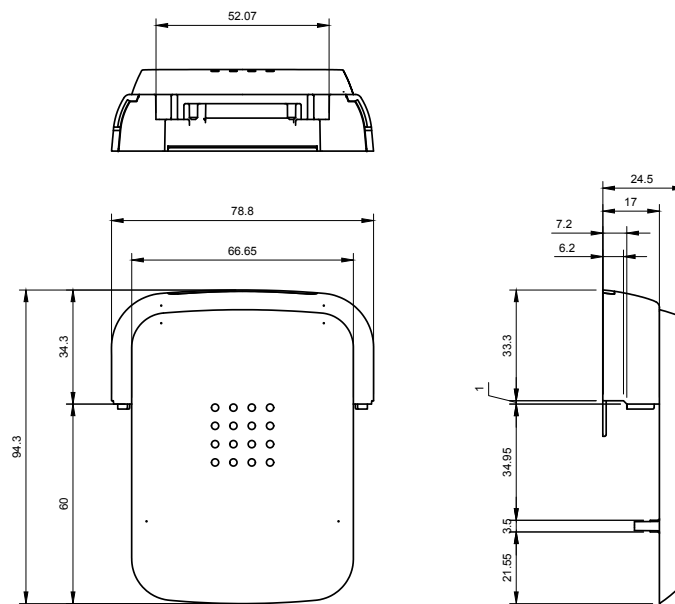


model bob upgrade

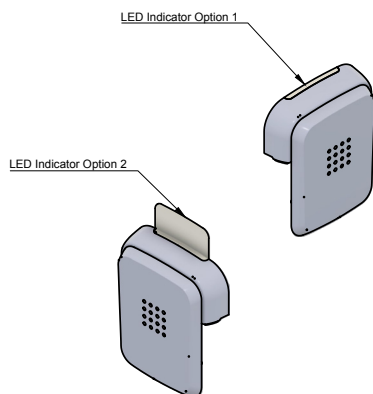
4SUITES series
specifications

4SUITES bob upgrade specifications

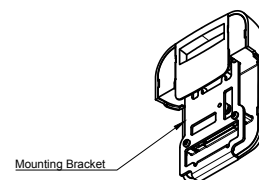
Dimensions (mm)



Configuration



Mounting



The LED Indicator configuration option 2 can be used to cover up existing screw holes for certain lock types

Features

Credential Types	NFC, Cloud, *Wallet
Offline Backup	Can store up to 1200 Keys
Integration	Various third parties
Management	App for configuration, cloud for general management

Communication

Wireless Standards	SubGHz, NFC, BLE
SubGHz Frequency	EU version 868 MHz, US version 915 MHz
NFC Frequency	13.56 MHz
NFC Read Range	Up to 1.5 cm
NFC Type	Mifare DESFire EV2, SmartTap
Supported Smartphones	All smartphones
Interface	APP, Webapp, NFC

Inputs, Outputs, and Power

Power Type	Battery powered
Operating Voltage	3.2V DC to 9V DC
Battery Life	2 Years (8 openings/day) Measured at room temperature with OEM batteries.
Inputs	3 sensor inputs
Outputs	1 motor driver output
Termination	Lock specific connection

Environmental

Operating Temperature	Operating: -30C to 70C
Operating Humidity	0-95% relative humidity, non-condensing

Warranty

Warranty	3-Year limited warranty on mechanical components, 1-year on electronic components
-----------------	-----------------------------------------------------------------------------------

